

MCR-308

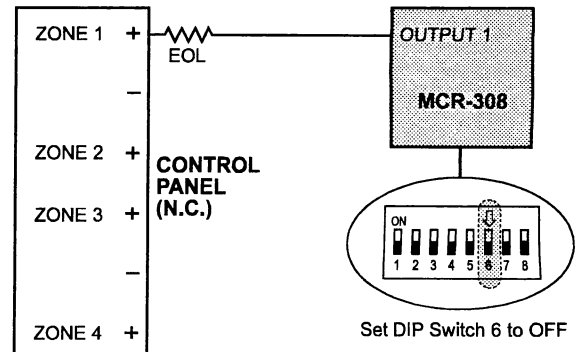
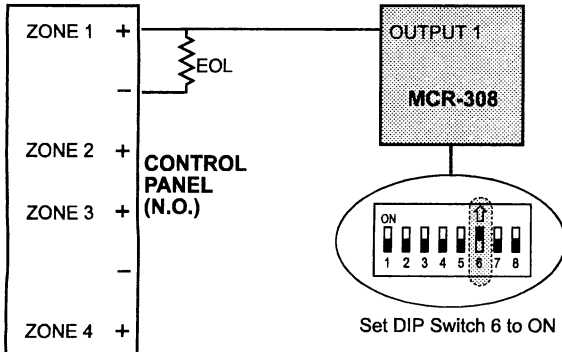
Wireless Interface for Hard-Wire Control Panels



Quick Reference Guide

1. WIRING

1.1 Connection to a Common Negative Panel



1.2 Connection to a Common Positive Panel

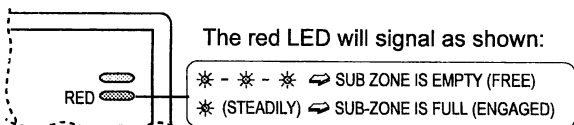
Wiring the MCR-308 to a "Common Positive" control panel or to any other device that draws more than 100 mA is feasible provided that the RL-8 interface relay unit is used.

2. PROGRAMMING

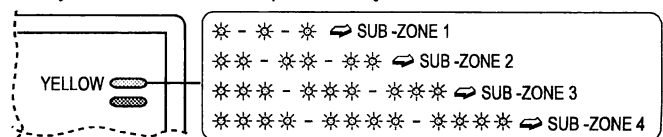
- This procedure is done best before going to the job site.
- When the procedure calls for selecting a zone output, set DIP switches 1 to 5 as shown in the drawing below.

Zone	Setting	Zone	Setting	Zone	Setting	Zone	Setting	Zone	Setting	Zone	Setting	Zone	Setting
1		5		9		13		17		21		25	
2		6		10		14		18		22		26	
3		7		11		15		19		23		27	
4		8		12		16		20		24		28	

- Power up the MCR-308 from a 12 VDC source.
- Set DIP switch 8 to ON
- Determine which zone output you want the transmitter to activate and set DIP switches 1 through 5 accordingly.
- Power up **one** of the transmitters and wait for its red LED to stop flashing.
- Press and release the TAMPER switch of the MCR-308 to enter the desired sub-zone.



The yellow LED will flash periodically as shown below:



- Transmit from the transmitter. The MCR-308 should sound the victory melody (**beep - beep - beep - beeeeeeeep**). The red LED should be on steady. **Note: Wait 5 seconds between transmissions!**
- If there are more transmitters to be learned, remove the battery from the transmitter just learned and go back to Step D.
- If there are no more transmitters to be learned, move DIP switches 1 thru 5 and 8 to OFF ⇨



VISONIC LTD. (ISRAEL); P.O.B 22020 TEL-AVIV 61220 ISRAEL. PHONE: (972-3) 645-6789, FAX: (972-3) 645-6788
 VISONIC INC. (U.S.A.): 10 NORTHWOOD DRIVE, BLOOMFIELD CT. 06002-1911. PHONE: (860) 243-0833, (800) 223-0020 FAX: (860) 242-8094
 VISONIC LTD. (UK): FRASER ROAD, PRIORITY BUSINESS PARK, BEDFORD MK44 3WH. PHONE: (0870) 7300800 FAX: (0870) 7300801
 INTERNET: www.visonic.com
 ©VISONIC LTD. 1999 MCR-308 DE3191Q (REV. 0, 11/99)



MADE IN ISRAEL